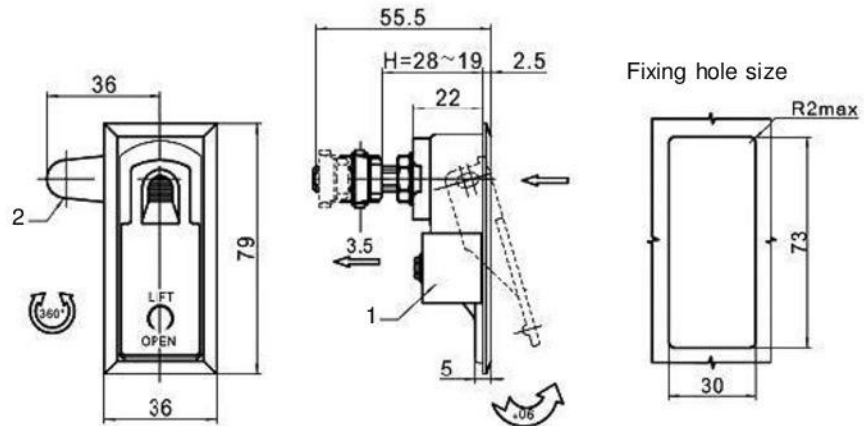




FH726.2BK - Kompressionsverschluss



Handle part number
FH726.2BK

Ref	Part description	Material - Finishing
1	Body	Zinc alloy - Black powder coated
2	Cam	Steel - White zinc Cr6 free