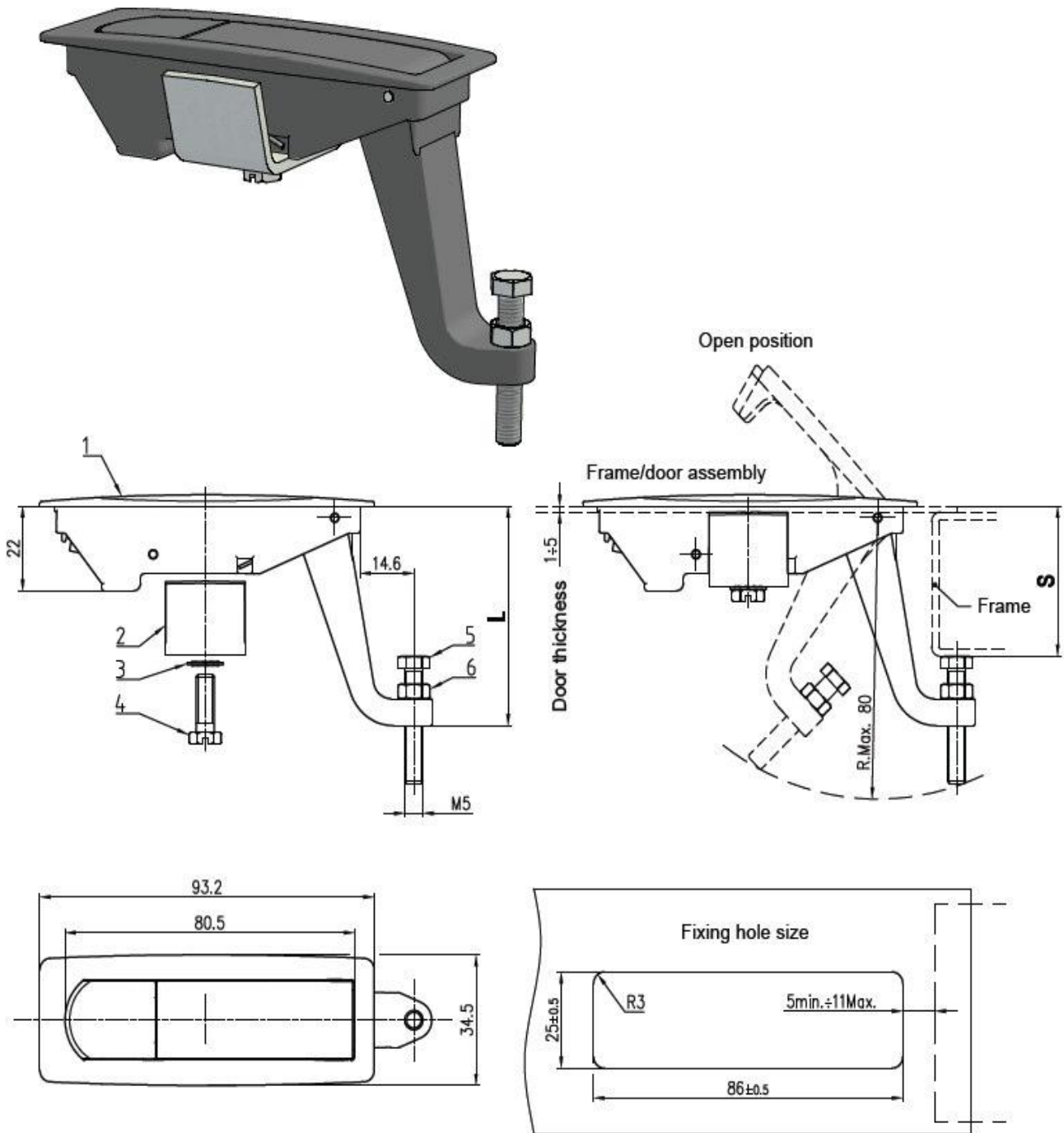


# LTH.07014.\* - Kompressionsverschluss



Handle part number	L ±1	S ±0,5
LTH.07014	35	2÷24
LTH.07014.60	57	23÷46

Ref	Part description	Material - Finishing	Material - Finishing (add CP to handle p/n)
1	Compression handle	Zinc alloy - Black powder coated	Zinc alloy - Bright chrome
2	Bracket	Steel 4.8 grade - White zinc Cr6 free	Steel 4.8 grade - White zinc Cr6 free
3	Washer	Steel - White zinc Cr6 free	Steel - White zinc Cr6 free
4	Screw M5X15	Steel 4.8 grade - White zinc Cr6 free	Steel 4.8 grade - White zinc Cr6 free
5	Exagonal nut M5	Steel 4.8 grade - White zinc Cr6 free	Steel 4.8 grade - White zinc Cr6 free
6	Adjustment screw M5X30	Steel 4.8 grade - White zinc Cr6 free	Steel 4.8 grade - White zinc Cr6 free