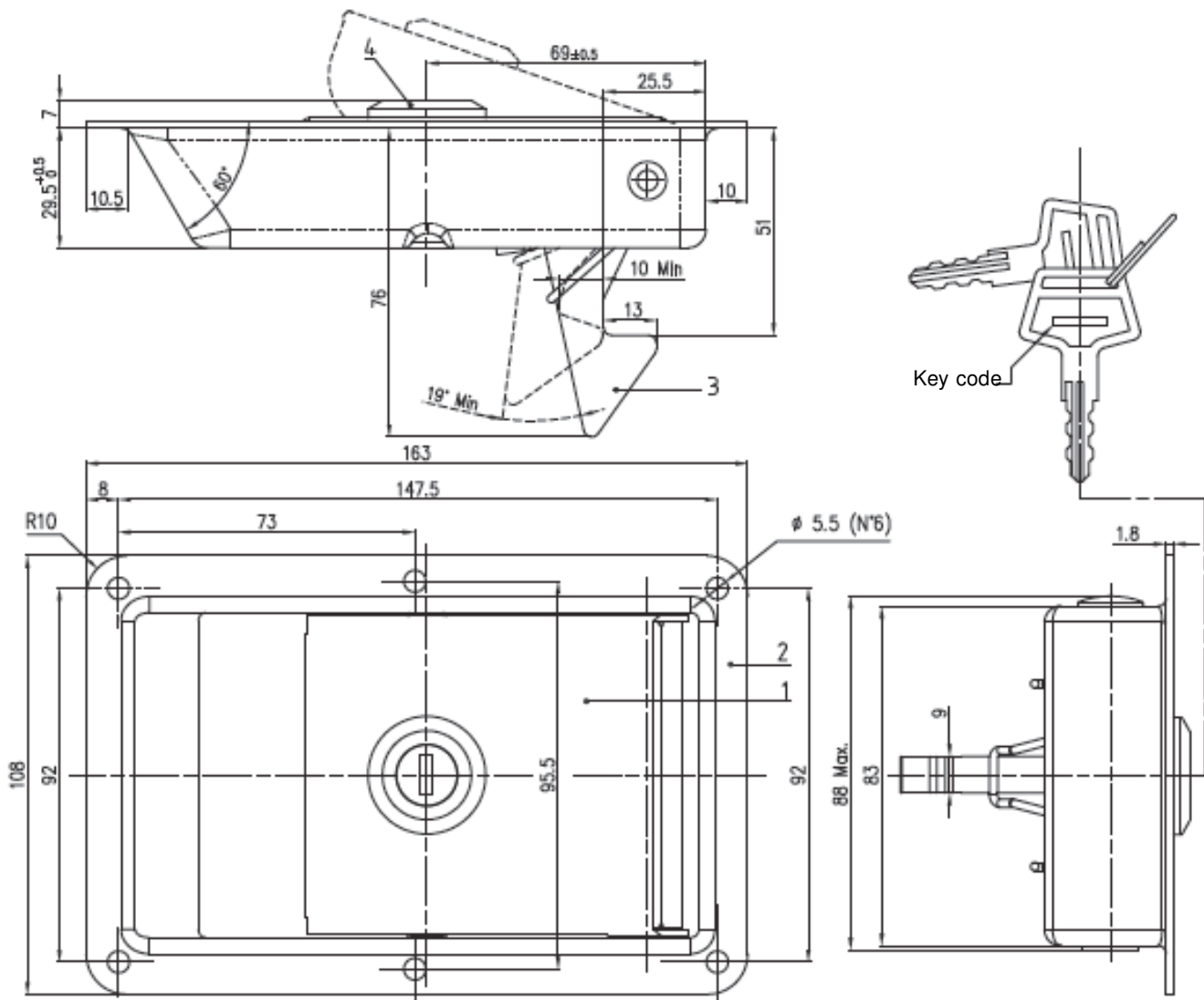


TKE858 - Schnappverschluss mit Schließzylinder



Handle part number	Key code
TKE858.706.BK	706

Ref	Part description	Material - Finishing
1	Handle	Steel - Black powder coated
2	Base	Steel - Black powder coated
3	Locking hook	Steel - White zinc Cr6 free
4	Key-lock	Zinc alloy - Bright chrome