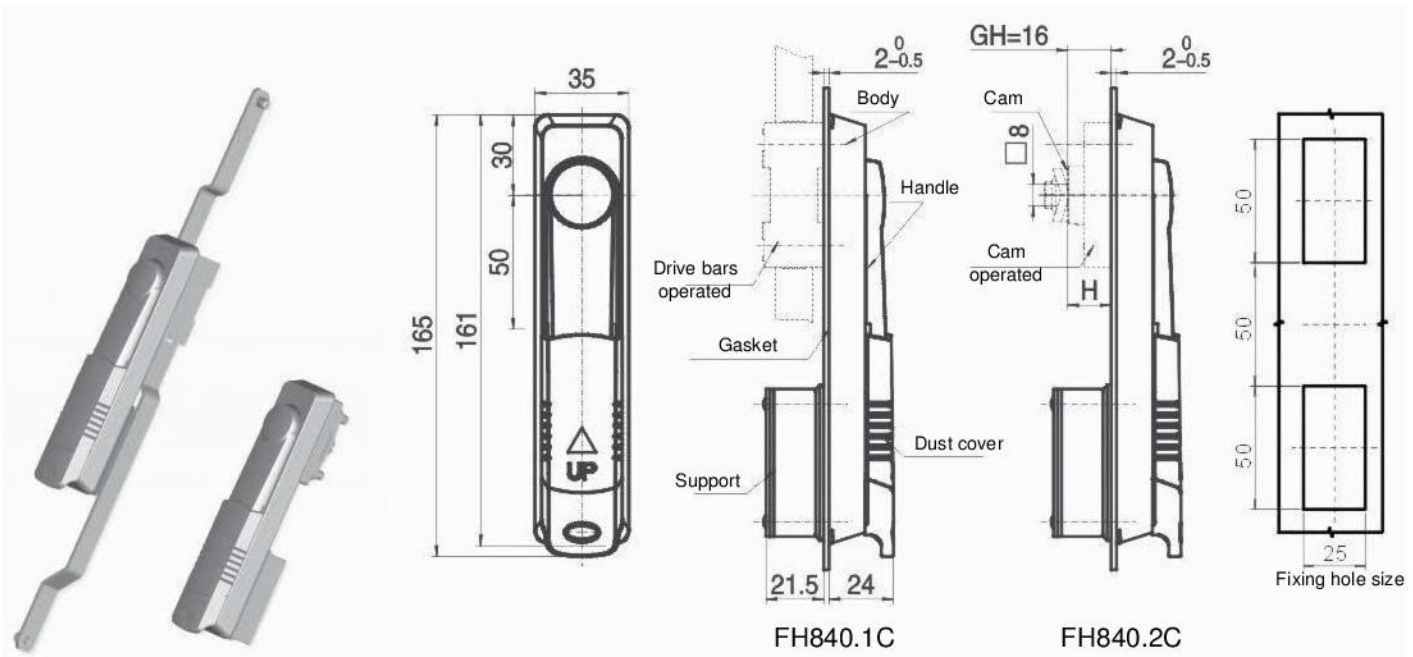




FH848.*B - Schwenkgriff - Stangenschloss



Options: Cam operated Mb9; see page 14

Drive bars operated Mb4; see page 20

Handle part number	Description	Ref	Part description	Material - Finishing
FH848.1B	Drive bars	1	Body and Handle	Black plastic
FH848.2B	Cam	2	Drive bars/Cam	Steel - White zinc Cr6 free