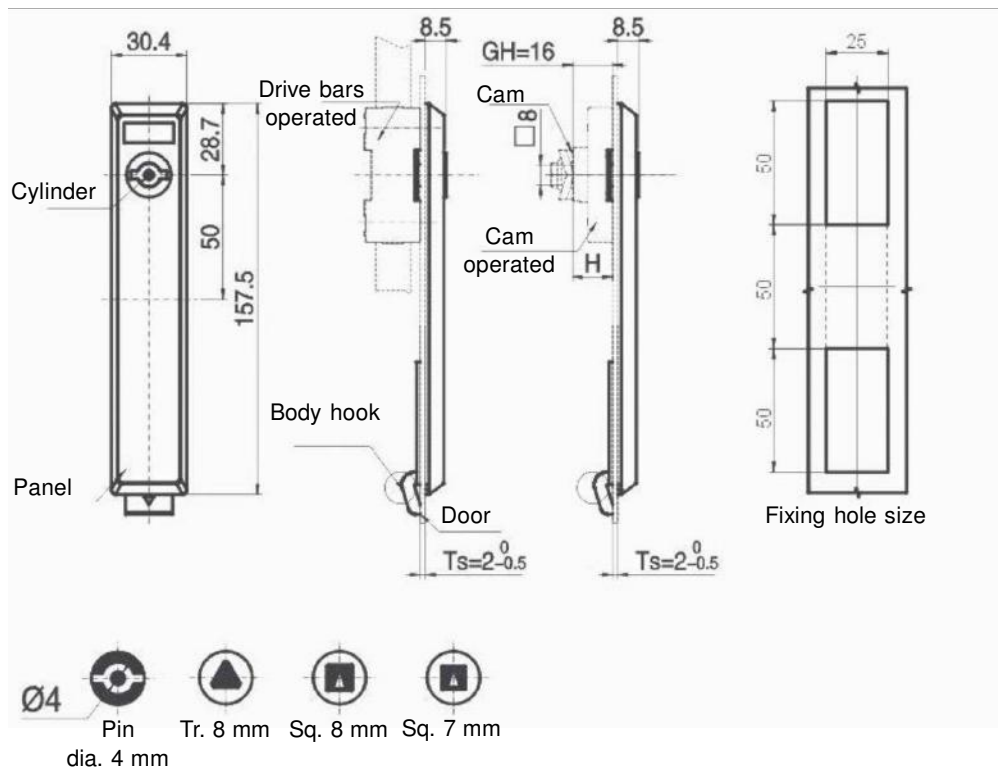




# FH875.\* - Schwenkgriff - Stangenschloss



Options: Cam operated Mb9; see page 14  
 Drive bars operated Mb4; see page 20

Handle part number with Drive bars	Handle part number with Cam	Cylinder
FH875.1.1	FH875.2.1	Pin dia. 4 mm
FH875.1.2	FH875.2.2	Triangle 8 mm
FH875.1.3	FH875.2.3	Square 7 mm
FH875.1.4	FH875.2.4	Square 8 mm

Ref	Part description	Material - Finishing
1	Body and Handle	Black plastic
2	Drive bars/Cam	Steel - White zinc Cr6 free
3	Key-lock cylinder	Zinc alloy - Bright chrome