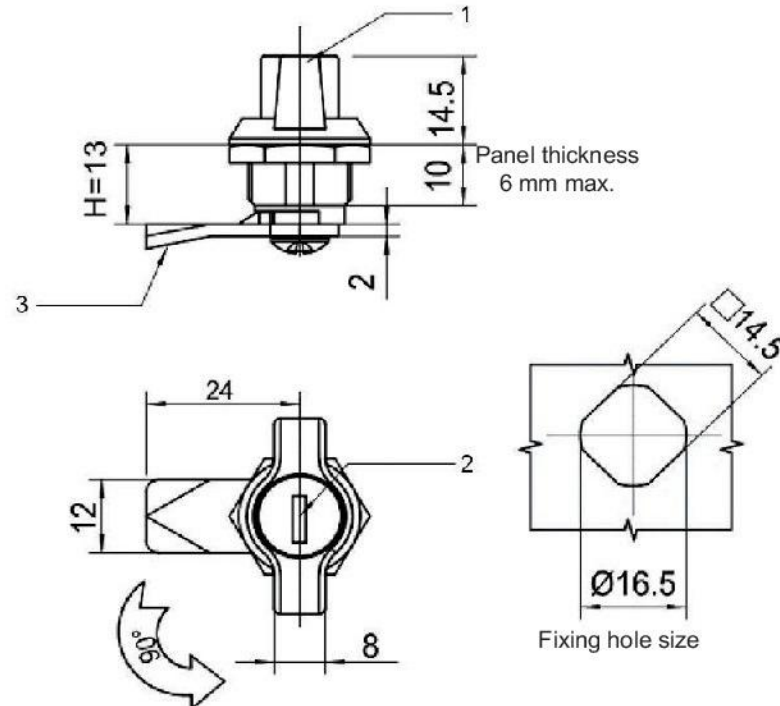


FH815.2 - Drehriegel abschließbar, Flügelkopf



Lock Part Number
FH815.2

Ref	Part description	Material - Finishing
1	Body	Zinc alloy - Black painted
2	Cylinder	Zinc alloy - Nikel plated
3	Cam	Steel - White zinc Cr6 free