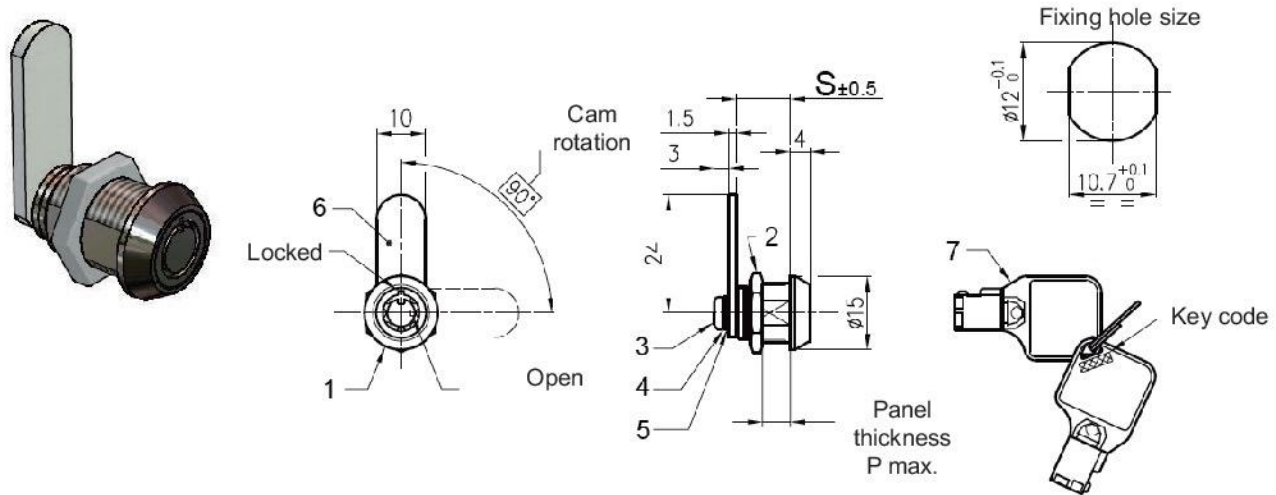




C200B - Sicherheitsdrehriegelverschluss



Lock Part Number	P max.	S ±0,5	Ref	Part description	Material - Finishing
C200BS	5	11	1	Body M12X1	Zinc alloy - Bright chrome
C200BL	6,5	12,9	2	Nut M12X1 Ch. 15	Zinc alloy - White zinc Cr6 free
C200BXL	8	16	3	Screw M3X6	Steel - White zinc Cr6 free
			4	Washer	Steel - White zinc Cr6 free
			5	Spring washer	Steel - White zinc Cr6 free
			6	Cam	FeP02 - White zinc Cr6 free
			7	Key, 500 different key codes (2)	Nickel