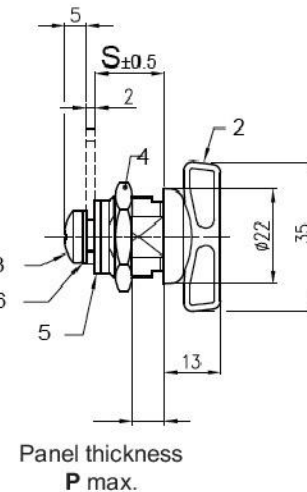
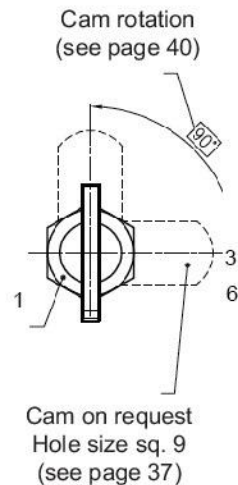
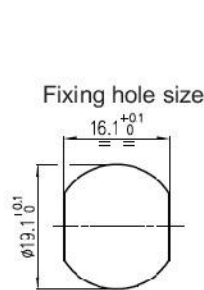
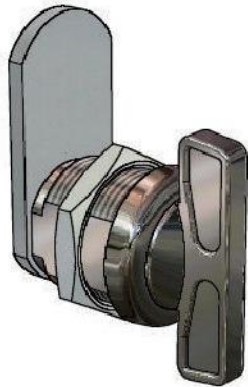




## 5E5\*\* - Drehriegel, Zinkdruckguss, Flügelkopf



| Lock Part Number | P max. | S ±0,5 | Ref | Part description            | Material - Finishing             |
|------------------|--------|--------|-----|-----------------------------|----------------------------------|
| 5E516CPNRA5T     | 6      | 16     | 1   | Housing                     | Zinc alloy - Bright chrome       |
| 5E522CPNRA5T     | 12     | 22     | 2   | Cylinder with central wing  | Zinc alloy - Bright chrome       |
| 5E535CPNRA5T     | 25     | 35     | 3   | Screw                       | Steel - White zinc Cr6 free      |
|                  |        |        | 4   | Nut BSW 3/4" - 24G - Ch. 22 | Zinc alloy - White zinc Cr6 free |
|                  |        |        | 5   | Washer                      | Steel - White zinc Cr6 free      |
|                  |        |        | 6   | Washer                      | Steel - White zinc Cr6 free      |