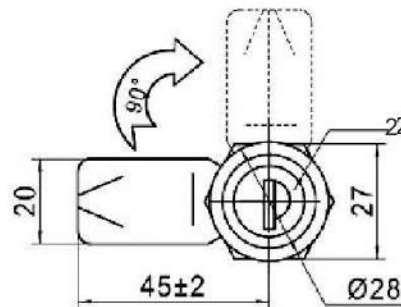
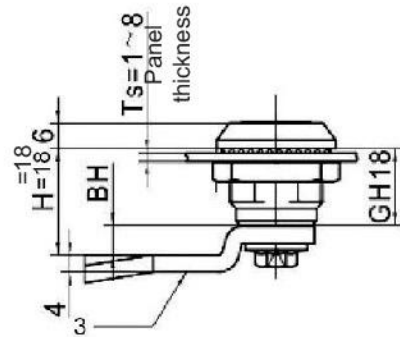




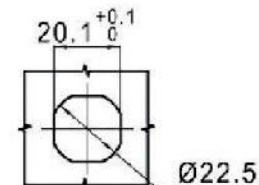
## FH705.3E - Drehriegel abschließbar



FH001HP (optional)



FH001WP (optional)



Fixing hole size

Lock Part Number
FH705.3E

Ref	Part description	Material - Finishing
1	Body	Zinc alloy - Black painted
2	Cylinder	Zinc alloy - Nikel plated
3	Cam	Steel - White zinc Cr6 free