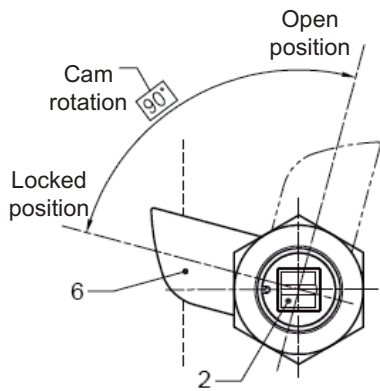
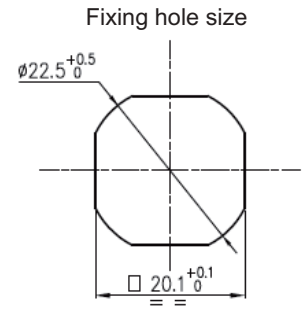
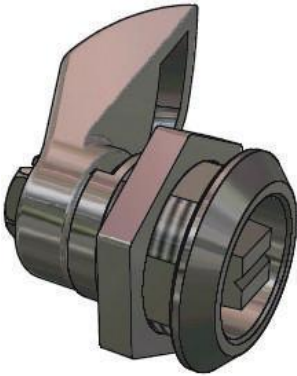
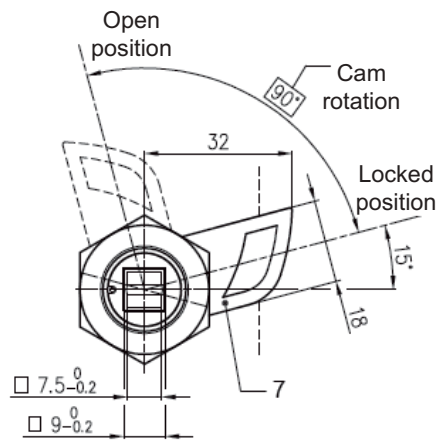


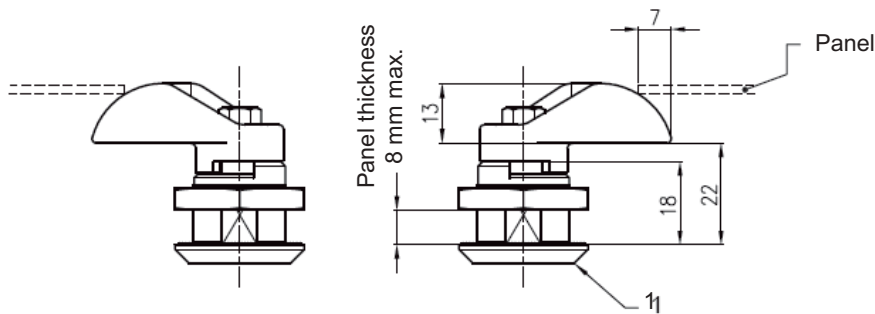
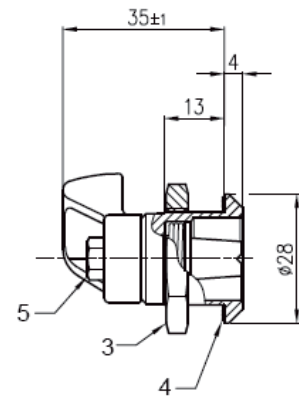
# 5M918 - Drehriegel federnd



RIGHT VERSION



LEFT VERSION



Lock Part Number	Version
5M918SSNRD5T999	Right
5M918SSNRK5T999	Left

Ref	Part description	Material - Finishing
1	Housing	AISI304 - polished
2	Cylinder railways square	AISI303 - polished
3	Nut M22X1,5	AISI303
4	Protective washer	NBR
5	Screw M6X10	AISI303
6	Cam RH (only right version)	AISI303 - polished
7	Cam LH (only left version)	AISI303 - polished